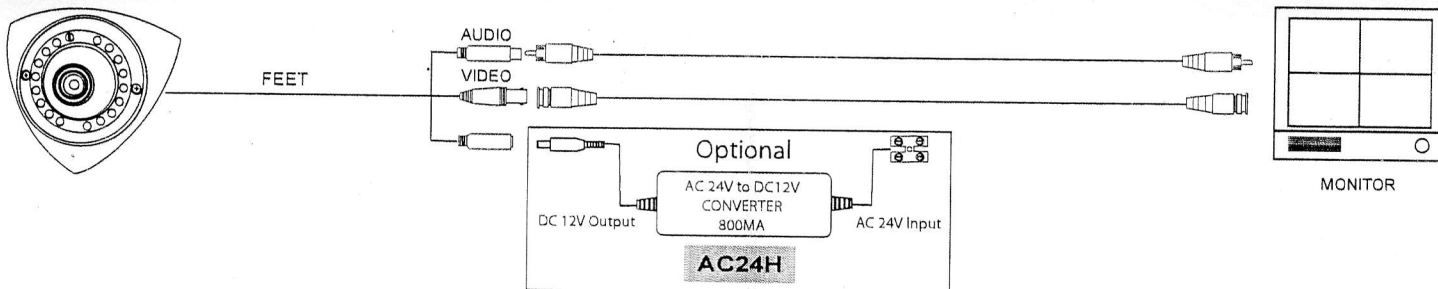
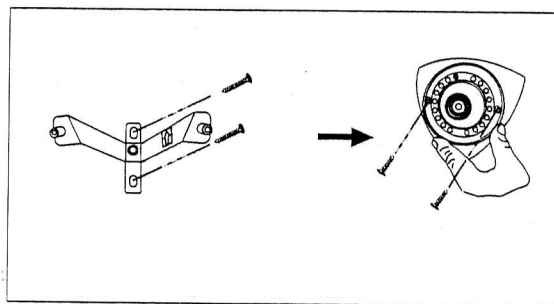
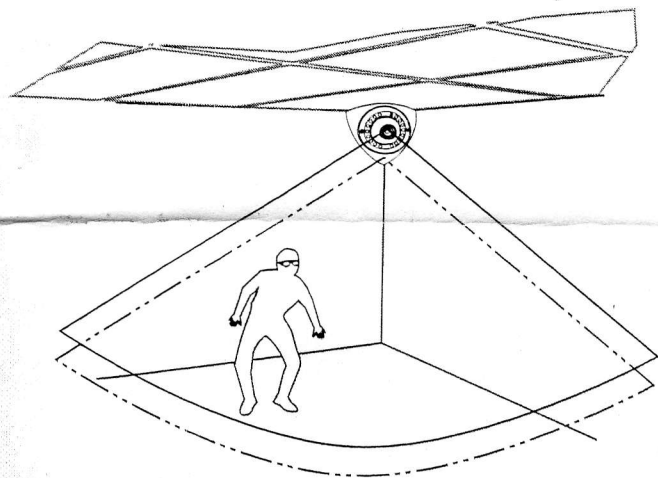
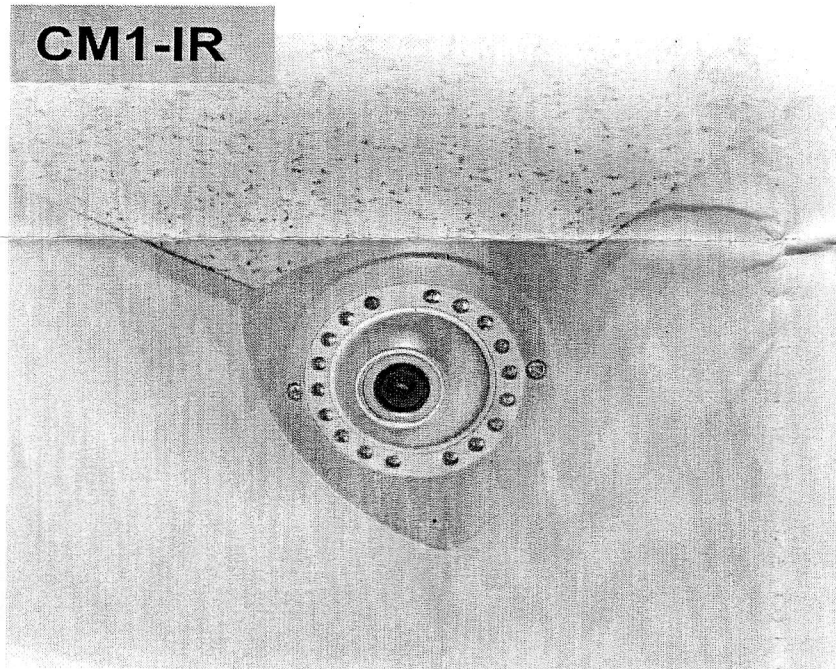


Corner IR Color Camera

HIGH RESOLUTION CAMERA

CM1-IR



Specification

ITEMS	CM1-IR
TYPE	HIGH RESOLUTION COLOR CAMERA
PICK-UP DEVICE	SONY CCD
PICTURE ELEMENTS H X V	NTSC: 512 X 492 - PAL: 512 X 582
HORIZONTAL RESOLUTION	420 LINES
VERTICAL FREQUENCY	NTSC: 59.94Hz - PAL: 50Hz
SCANNING SYSTEM	2:1 INTERLACE
MINI ILLUMINATION	0 LUX WITH 17 IR LEDS
SYNCHRONIZATION	INTERNAL
S/N RATIO	>48dB
ELECTRONIC SHUTTER	UP TO 1/100,000sec.
WHITE BALANCE	AUTO WHITE BALANCE
LENS	2.5mm
GAMMA	0.45
VIDEO OUTPUT	1Vp-p, 75 Ohms
AUTO GAIN CONTROL	AUTO
POWER SUPPLY	12VDC (+/-10%)
POWER CONSUMPTION	300mA (+/-10%)
COLOR	SILVER
WEIGHT	200g
STORAGE TEMPERATURE	(-) 30°C to (+)60°C
OPERATING TEMPERATURE	(-) 10°C to (+)50°C