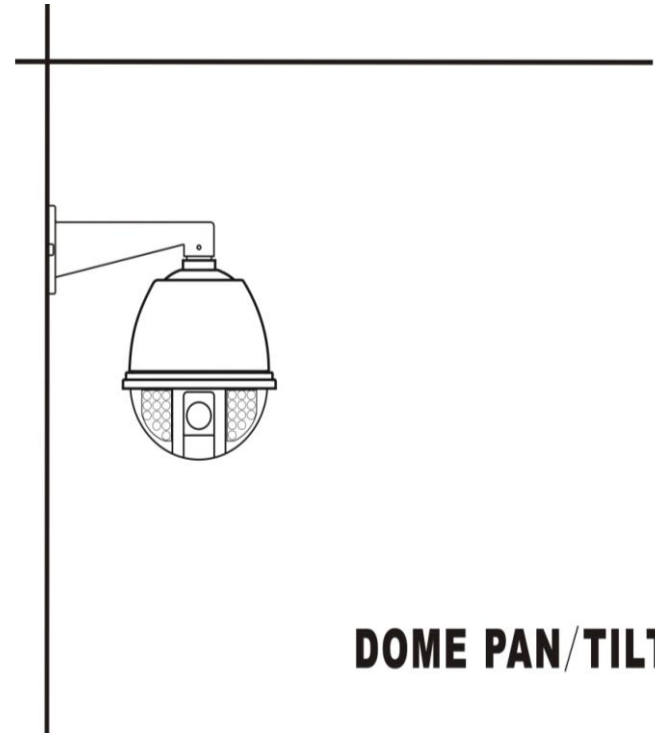


MODEL: SCW-727IR



DOME PAN/TILT

**IR PTZ Camera
USER'S MANUAL**

Dear customers :

Thank you having selected our product. This item adopts innovative Cradle head structure, has made a lot of optimization on design, has carried out longtime testing, adjusted to ensure our products' high quality. All of our efforts in order to make our products more stabile, being able to adapt to most customers' requirements. To make you can use this equipment better, please read this manual carefully, when there is any question, please send us feedback in time, we will do our best to help you.

Thanks again!

VII. Technical data table

	Item	parameter
Specifications	infrared light board	24 high-power LED with 24mil and 850nm, available
	infrared light board in-put power	DC12V
	infrared light board in-put current	1.5A
	PTZ in-put power	24V AC 50/60Hz
	PTZ in-put power	10W
	infrared light out-put power	DC12V , 3.2A
	Rotation angles	Level: 0°--355° Vertical: 0°--90°
	Rotation speed	Level: 10°/S Vertical:
	Rotation limits	Level adjustable
	Max dimension of camera with lens	150×65×70 mm
	Working Temperature	-25°C--49°C
	Material	Cover: block burning ABS, Transparency acrylic
	PTZ Weight	4.8Kg

6. After install all the equipment, go over circuit to affirm voltage is correct, test this equipment now.

7.If the equipment is ok after the test, use stainless steel screw shows direction to PTZ cover into decoration circle (attention: Screw should be tight) , expose the film above the PTZ cover, and all the jobs are finished now.

Form 1. Cradle head control cable

Item NO.	1	2	3	4	5	6
Line color	red	brown	yellow	green	blue	black
Stand for	up	down	left	right	auto	comm on

Form 2. Lens control cable

1	2	3	4
grey	white	purple	green
zoom	foucs	iris	common

Form 3.camera power supply and IR leds cable

1	2	3	4
red	back	yellow	green
Camera +	Camera -	IR leds +	IR leds -

Catalogue

1.Main feature.....	3
2.Safety measure.....	4
3.Using and maintain.....	4
4.Cradle head structure and parts.....	6
5.Shape and measure.....	7
6.Install method.....	8
7.Main technology index.....	10

I. Main feature

- ★Innovative design, make PTZ cover and the boards rotate together, adopt axles revolution structure firstly in China.
- ★Infrared light with a Cradle head go up and down, left and right, make full use of illuminant, keep the PTZ camera always clear.
- ★New design of camera and infrared light partition system, make it does not have any reflection at night
- ★The left area of the PTZ cover make the camera more covert
- ★Choose the right camera, can make all in camera with zoom and focus function
- ★Installation is simple and convenient, the same as the general PTZ camera
- ★Using high efficiency infrared tube, avoids the local overheating
- ★Constant current and voltage design, make the infrared light can work longtime
- ★Infrared cold light board circulatory system, interlayer heat dissipation; after opened infrared light, cold system begin to work immediately
- ★Constant current and voltage design, make electric current voltage more stabilize, is suitable to continuous working.
- ★Double Anti-sunburning structure, make the PTZ can be used in south and north

VI. Install method

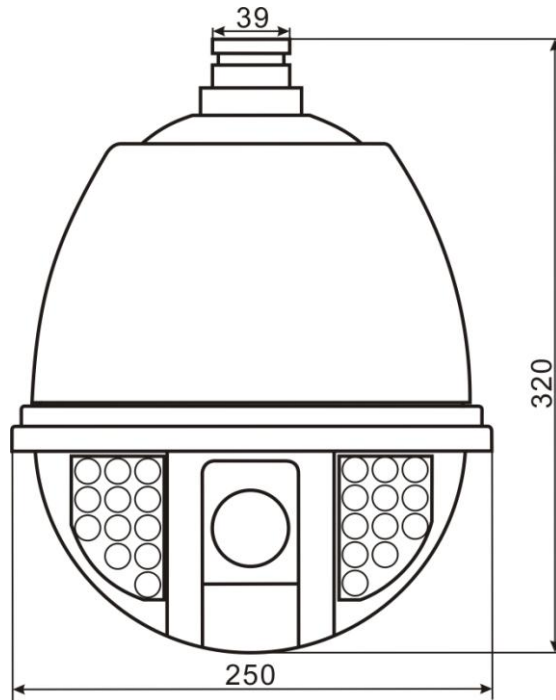
- 1 . After fixed the install location, install the bracket first, please let the cables go through the bracket
- 2 . Please connect Cradle head to the bracket.
- 3 . Please connect the cables of Cradle head to reserve line as show in form one
- 4 . Installation of the camera and the lens
Please fix the all in one camera first with English system screw. Adjusts the camera front and back, make sure all in one camera will not touch the PTZ. Please connect the cables, lens to the camera like the second form and the third form.
5. Position-limit adjustment of Cradle head
This Cradle head cab be adjust position-limit , in general, our engineers adjust it before it is sent to you, you need not do this again.

Horizontal: 0° - 355° Tilting : 0° - 90°

If you need adjust the Cradle head, please operate as following:

Please loosen the position-limit piece of level fastening top, move the position-limit piece to required location, and then screw it tightly again being OK.

V. Shape and measure :



- ★ Metal boards, structure are delicate and firm
- ★ Acrylic optical covers, well light transmitted has no well, no deformation

II. Safety measure

- ☆ Please do not reveal interior equipment in rain or damp place
- ☆ Please do not put other articles in this equipment, other articles may lead a short circuit to damage equipment or system
- ☆ Please avoid installing the equipment beside inflammable gas or corrosive
- ☆ Please do not dispart any of the PTZ yourself
- ☆ Please do not use it high temperature, and humidity environment
- ☆ Power supply of Cradle head is AC24V , infrared light is DC12V; please abide the voltage strictly, higher voltage will burn down the equipment

III. Using and maintain

- ☆ When maintaining, changing or clean product, please cut off the electrical source first.
- ☆ If the cables need be lengthen, the length can not exceed 10 meters , the diameter of the cables can not be less than 0.5 mm²

When clean the equipment, pl⁴ do not use liquid or the

spraying type cleaning agent

☆ please, otherwise will lead circuit short circuit

☆ After the equipment was installed, please fix the cables and lens in time, in order to preventing Cradle head from rotating in process

☆ Pay attention to protect the PTZ cover, if staining incautiously, please use soft cloth and the neuter cleaning agent to clean it

☆ Camera and PTZ cover installation according to what arrowhead shows please

☆ If you need to change the parts in the PTZ, please contact with dealer or our company

☆ When the PTZ is installed outdoor, please make sure it is waterproof between the bracket and screw. Otherwise the equipment will be damaged by the rain or dampness.

☆ Wall install type equipment please affirm that the bracket is fixed strongly on a flat surface, and then fix the PTZ to the bracket, to avoid the PTZ drops; If installation is on a column or other place, please choose the right accessory

☆ When you meet the following questions after you opened the packing box, please contact with the dealer or our company:

A. PTZ cover is broken

B. The boards is fall off

C. Abnormal condition happened when using

D. The cables are broken

E. PTZ can not run after operated regularly followed the users' manual

IV. Cradle head structure and parts

